

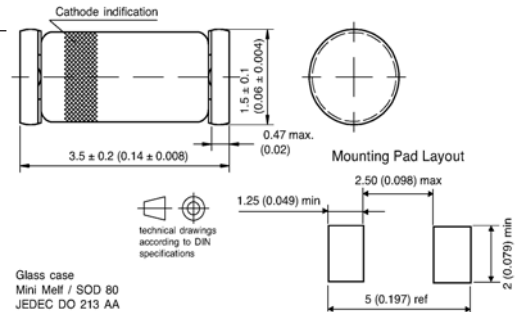
## Features

- ◆ Silicon Epitaxial Planar Diode
- ◆ For general purpose and switching
- ◆ This diode is also available in other case styles including the DO-35 case with the type designation 1N4150.



## Mechanical Data

- ◆ Case: MiniMELF Glass Case (SOD-80)
- ◆ Weight: approx. 0.05g
- ◆ Cathode Band Color: Black



## Maximum Ratings and Thermal Characteristics

( $T_A=25^\circ\text{C}$  unless otherwise noted.)

Parameter	Symbol	Limit	Unit
Peak reverse voltage	$V_{RM}$	50	Volts
Maximum average rectified current	$I_{F(AV)}$	200	mA
Maximum power dissipation at $T_{amb}=25^\circ\text{C}$	$P_{tot}$	500	mW
Maximum junction temperature	$T_J$	175	$^\circ\text{C}$

## Electrical Characteristics

( $T_A=25^\circ\text{C}$  unless otherwise noted.)

Parameter	Symbol	Limit	Unit
Maximum forward voltage drop at $I_F=200\text{mA}$	$V_F$	1.15	Volts
Maximum reverse current at $V_R=50\text{V}$	$I_R$	100	nA
Maximum reverse recovery time at $I_F=I_R=10$ to $200\text{mA}$ , to $0.1I_F$	$t_{rr}$	4.0	ns